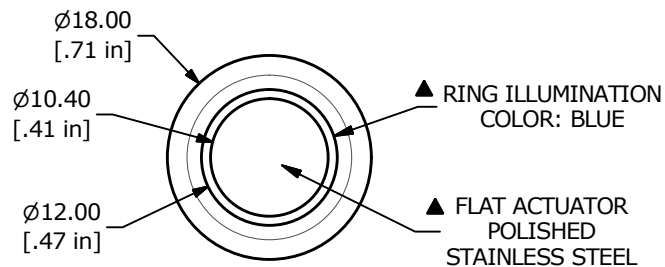
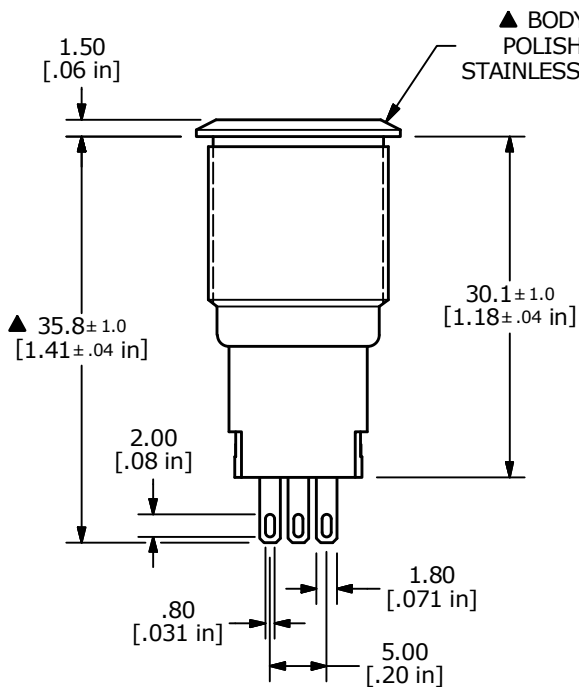


PANEL CUTOUT  
MAX. PANEL THICKNESS  
14.0mm [.55]

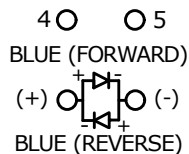
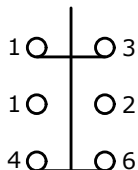
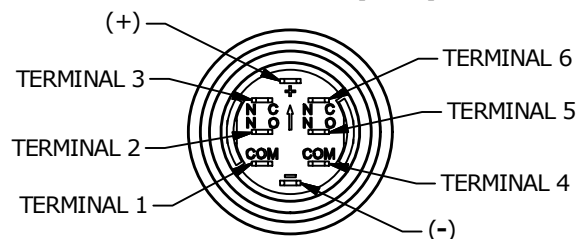
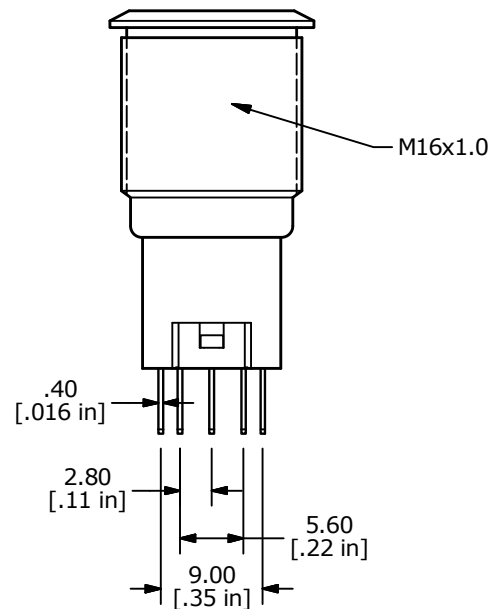


▲ RING ILLUMINATION  
COLOR: BLUE

▲ FLAT ACTUATOR  
POLISHED  
STAINLESS STEEL



▲ BODY  
POLISHED  
STAINLESS STEEL



▲ DPDT ON-(ON)  
CONTACT CONFIGURATION

SWITCH FUNCTION	
POS. 1	POS. 2
ON	(ON)
1-3, 4-6	1-2, 4-5

(ON) = MOMENTARY

NOTE:

- ALL DIMENSIONS IN MM [INCH]
- GENERAL TOLERANCE: X.X = ±0.4  
X.XX = ±0.25
- TERMINAL NUMBERS FOR REF ONLY
- ▲ CONTACT MATERIAL: SILVER
- RATING: 2A 48VDC
- ELECTRIC LIFE: 50,000 MAKE-AND-BREAK CYCLES AT FULL LOAD.
- INSULATION RESISTANCE: 1,000 MΩ MIN.
- DIELECTRIC STRENGTH: 2,000 VAC MIN. FOR 1 MINUTE
- CONTACT RESISTANCE: 50mΩ MAX. @ 1A 12VDC
- OPERATING TEMP.: -20°C to 55°C
- ▲ DENOTES CRITICAL PARAMETER.
- ▲ HARDWARE SUPPLIED: O-RING AND HEXNUT
- ▲ INGRESS RATING: IP40
- ▲ LAMP VOLTAGE: 6V



A	23738	Release	1/15/19	MW
REV	PCR NO	DESCRIPTION	DATE	BY

TITLE	PV3F2H0SS-343			
SCALE	3:2	DATE	1/15/2019	DR
			MW	DWG
				52-PV3F2H0SS343
				REV
				A

THE INFORMATION CONTAINED IN THIS DOCUMENT IS PROPRIETARY TO E-SWITCH AND IS NOT TO BE COPIED OR TRANSFERRED